

Mini (7/8) 5 pole, Female 90° w/ Cable,

PVC, STOOW, 5x16AWG, yellow, 1.5m

Female 90°

7/8" (5-pole)

Power cable

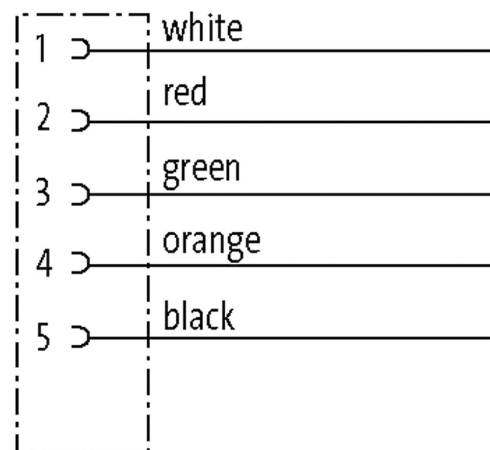
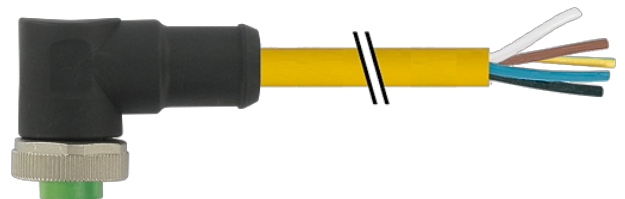
USA

without cable sleeves

Further cable lengths on request.

Plastic housings with good resistance against chemicals and oils.

The resistance to aggressive media should be individually tested for your application. Further details on request.

[Link to Product](#)**Illustration**

Product may differ from Image

Approvals

* only for products with UL/CSA approved cable

Form

Form A5031

General data

Mounting method inserted, tightened

Pollution Degree 3

Temperature range -25...+80 °C, depending on cable quality

Cables

Cable number	UBD
No./diameter of wires	5× 1.5 mm ²
Construction (core)	approx. 3.1 mm
Wire isolation	PVC (bk, or, gn, rd, wh)
Jacket Color	yellow
Material (jacket)	PVC (UL/CSA)
Outer Ø	12.7 mm ±5%
Bend radius (fixed)	10× outer Ø
Bend radius (moving)	15× outer Ø
Temperature range (fixed)	-50...+105 °C
Temperature range (mobile)	-20...+90 °C

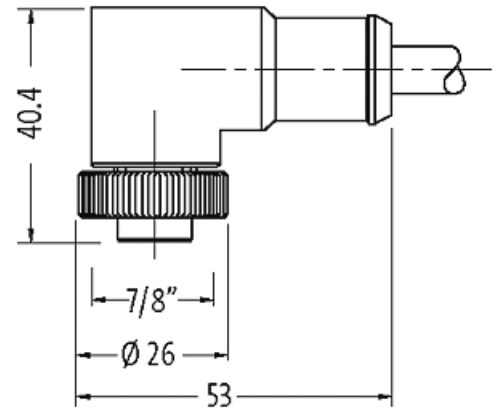
Technical Data

Operating voltage	max. 600 V AC/DC
Rated surge voltage	4.0 kV
Operating current per contact	max. 9 A
No. of poles	5
LED display	no
Locking of ports	Screw thread 7/8" (recommended torque 1.5 Nm) self-securing
Compression gland	7/8" (SW24)
Protection	IP68 inserted and tightened (EN 60529)
Locking material	Zinc die casting, matte nickel plated
Material	PUR

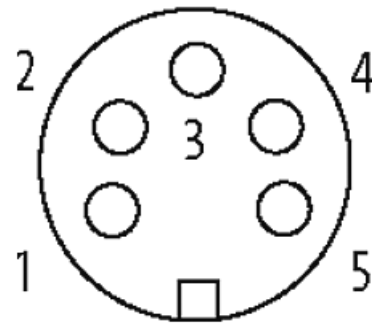
Commercial data

country of origin	DE
customs tariff number	85444290
EAN	4048879632515
eClass	27279218
Packaging unit	1

Sketch



Female



Product may differ from Image